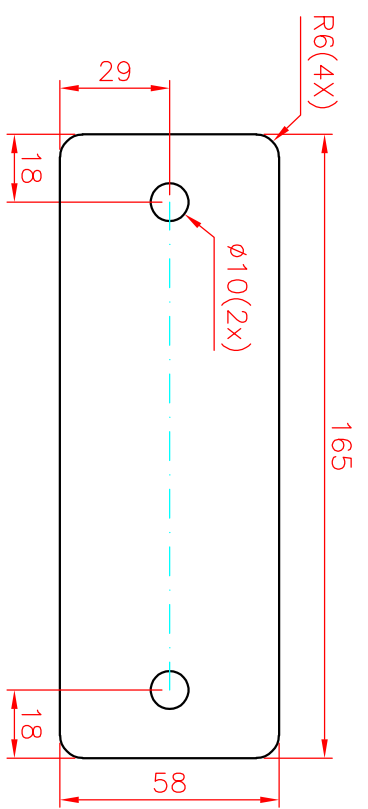
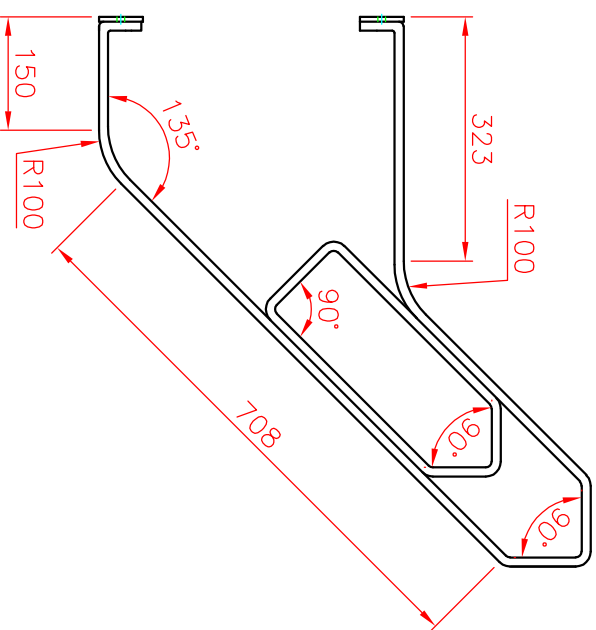
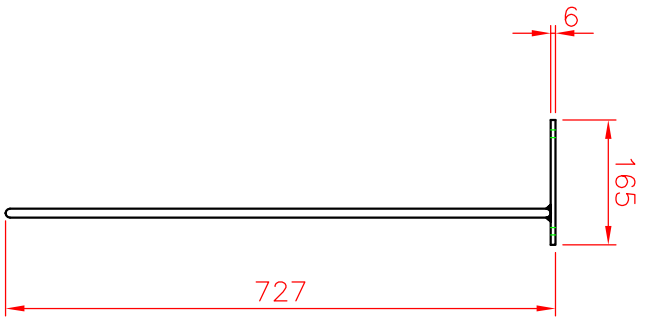
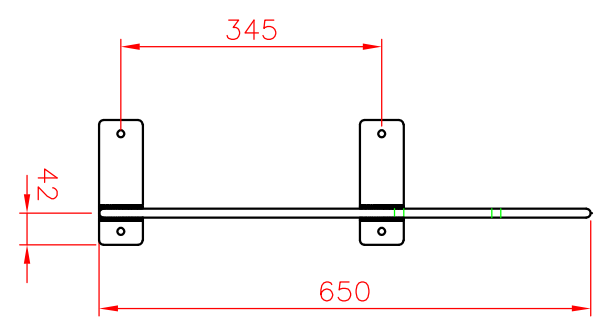


WELAND ALUMINIUM AB
 This document must not be copied without our written permission and the contents thereof must not be imported to a third party nor be used for any unauthorized purpose. Contravention will be prosecuted.



Nr.	1.	Breddat fästplatta, logt till ett fästhol	140627	JB	Godk.
Ant.	-	Ändring och/eller medd -nr	Datum	Inf.	Godk.

-		Stängmaterial		Ø 12		-		-	
Det.nr	Ant.	Benämning		Material		Mod.nr. ämne Dimension		Anm.	
Konstr.	Ritad	Kop.	Kontr.	Stand.	Format	Skala	Generell tolerans		Objektnummer
-	JB	-	-	-	A4	1:10/1:2	-		-
WELAND		RAMLÅS RAMBO		-		-		Ritningsnummer	Datum
Björnstorsvägen 2		-		-		-		RAMBO	131122
542 30 A15372		-		-		-		Rev.	B
TN 446 (0)72-445 00		-		-		-		-	